

Data sheet

Art.No.: 46.032.4553.1

connector RST16I3 S S1 ZT4 SW

RST® MINI connector, straight, number of poles 3, male, connection type screw connection, rated voltage 250 V, rated current 16 A, cable diameter 5 - 10.6 mm, color of coding/ contact carrier black



Art.No.	46.032.4553.1
EAN	4049088279164
Order Unit	1

certificates / approvals



Technical data

general

rated current	16 A
rated voltage	250 V
rated impulse voltage	4 kV
strain relief	yes
pollution degree	3
lockable	self-locking (unlocking by hand)
color of coding/ contact carrier	black
marking of poles	L, N, PE
color of housing inclusive strain relief	black
RAL-Nummer Codierung/Kontakteinsatz	9005

connection data

cable diameter max.	10.6 mm
cable diameter min.	5 mm
connection cross section solid mm ² max.	2.5 mm ²
connection cross section solid mm ² min.	0.25 mm ²
connection cross section fine stranded mm ² max.	2.5 mm ²
connection cross section fine stranded mm ² min.	0.25 mm ²
terminations per pole	1
sheath strip length	25 mm
wire strip length	8 mm

technical data UL

rated voltage UL	600 V
rated current UL	16 A
connection cross section solid AWG min.	24 AWG
connection cross section solid AWG max.	14 AWG
connection cross section stranded AWG min.	24 AWG
connection cross section stranded AWG max.	14 AWG
degree of protection (NEMA)	4, 4x
UL classification housing	UL-V2
UL classification strain relief	UL-V0

model

model	male
connection type	screw connection
degree of protection (IP)	IP66/68 (3m;2h) /IP69

material

housing material	polyamide
halogen free	yes
contact material	CuZn
fire load	0.131 kWh/St
insulation components continuous temperature	100 °C
surface finish	silver-plated

dimensions

length	64 mm
width	19.9 mm
height	19.9 mm

note

note	RST® terminals with screw clamping allow the connection of conductors without special preparation (without ferrules) according to EN 60999-1.
------	---

classification

ECLASS 11	
ECLASS 8.1	27440605
ETIM 9.0	EC002560
ETIM 8.0	EC002560
ETIM 7.0	EC002560
ETIM 6.0	EC002560
ETIM 5.0	EC002560
ETIM 4.0	EC002560

product compliance

ROHS conformity status	compliant
REACH-SVHC conformity status	compliant

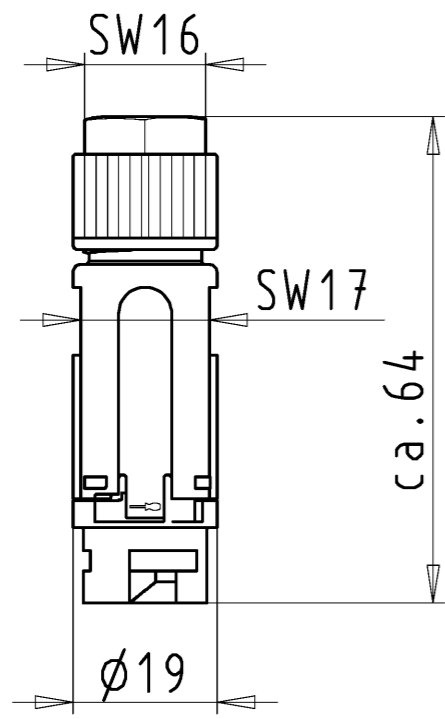
Accessories

Art.No.:	Article/type description:	Description:
06.563.8853.1	cover for male connector SW	RST16i3/2 cover piece, for covering unused male connectors, color black
06.563.8953.1	cover for male connector SW	RST16i3/2 cover piece, for covering unused male connectors, with fastening belt, color black






Fits with

Art.No.:	Article/type description:	Description:
46.031.5053.1	device connector RST16i3 S B1 M02 SW	RST@ MINI device connector, standard, straight, M16, number of poles 3, model female, connection type screw connection, rated voltage 250 V, rated current 16 A, color of coding/ contact carrier black
46.432.1000.1	cable assembly RST16i3KSBS 15P 10SW	RST@ MINI connecting cable, female - male, number of poles 3, rated voltage 250 V, rated current 16 A, cable type H05VV-F, fire class Eca, total length 1 m, nominal cross section conductor 1.5 mm ² , color of coding/ contact carrier black
46.030.0153.1	distributor RST16i3B 3P1 F G V SW	RST@ MINI distributor, parallel connection, with fastening option, number of poles 3, rated voltage 250 V, rated current 16 A, number of inputs 1, number of outputs 3, color of coding/ contact carrier black
46.031.4553.1	connector RST16i3 S B1 ZT4 SW	RST@ MINI connector, straight, number of poles 3, female, connection type screw connection, rated voltage 250 V, rated current 16 A, cable diameter 5 - 10.6 mm, color of coding/ contact carrier black
46.030.1253.1	distributor RST16i3V 2P1 TGVG SW	RST@ MINI distributor, parallel connection, with fastening option to 06.562.5853.0 / 06.562.5853.1, number of poles 3, rated voltage 250 V, rated current 16 A, number of inputs 1, number of outputs 2, color of coding/ contact carrier black

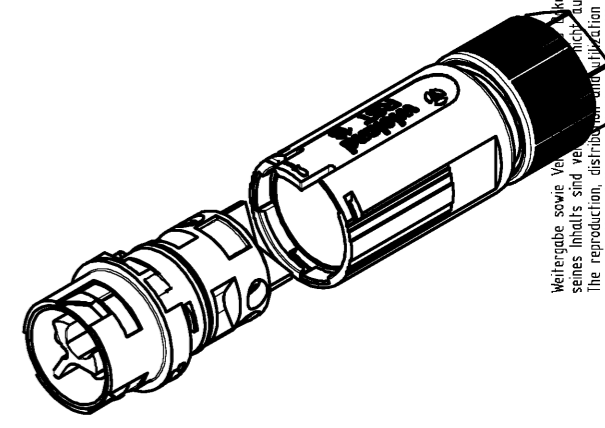
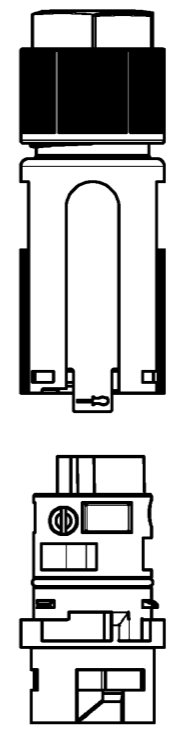
These dimensions will be especially checked at delivery
 Only inspection dimensions
 With /E marked dimensions are only valid for internal use
 Diese Maße werden bei Abnahme besonders geprüft
 Ausschließlich Prüfmaße
 Mit /E gekennzeichnete Maße sind nur für interne Zwecke gültig



Kodierung
/Coding

-  C1
-  C2
-  C3
-  C4
-  C5

Auslieferungszustand
delivery condition



Weitergabe sowie Verwertung des Dokuments, Verwertung und Mitteilung seines Inhalts sind ausdrücklich gestattet.
 The reproduction, distribution and application of this document as well as the communication of its contents to others without express authorization is prohibited.

46.032.4550.6	RST16 I3	S S1	ZT4S	A TB	C5	türkisblau /turquoise blue
46.032.4553.9	RST16 I3	S S1	ZT4S	H BL	C4	lichtblau /light blue
46.032.4550.4	RST16 I3	S S1	ZT4S	L BR	C3	signalbraun /signal brown
46.032.4555.7	RST16 I3	S S1	ZT4S	GN	C2	laubgrün /leaf green
46.032.4553.1	RST16 I3	S S1	ZT4	SW	C1	schwarz /black
46.032.4553.0	RST16 I3	S S1	ZT4	GL	C1	lichtgrau /light grey

Bestellnummer /Order number Typ /Type Kodierung /Coding

Weitere Daten siehe KATALOG oder eKatalog.
Additional data see CATALOG or eCatalog.

www.wieland-electric.com
eshop.wieland-electric.com

Tolerierung Size ISO 14405 (Tolerance system Size ISO 14405).
 (This ISO-standard describes the envelope principle. According to the envelope principle the deviations of form and parallelism are limited by the size tolerances).

ja/yes Stoffverbots- und Deklarationsliste nach WN 5020.010 ist einzuhalten.
 Conformity with Wieland document WN 5020.010 e (list of prohibited / declarable hazardous substances) to be declared!

Freitoleranz nach General tolerance CAD - Zeichnung, keine manuellen Änderungen CAD - drawing, no manual modifications allowed 1. Verwendung: - First Use: - Blatt: 1 von 1 Sheet: of 1

Werkstoff/Material	2014 Tag/Date	Name	T	Zeichnung Nr./Drawing No.	Index
gezeichnet/drawn	02.09.	Treschan			
geprüft/checked	-	-			
Maßstab/Scale	1:1	Normgepr. Stand. check	Maße in mm/Dimensions are in mm		
Vol. mm ³	Ofl./Surf. mm ²	Ersatz für/Replacement for: -			
a	06.10.2014/	www.wieland-electric.com	Type	Benennung/Title	
Index	Datum / Blatt Date / Sheet	RST16..		STECKERTE IL	
Änderung/Revision	FA - mit Zugentlastung, 3-polig male with strain relief 3 poles				